

## CROWN MMCR-136

### DETAILS:

Profile:	MMCR-136
Set Up:	5MS
Scale:	1:1

### DIMENSIONS AVAILAIBLE:

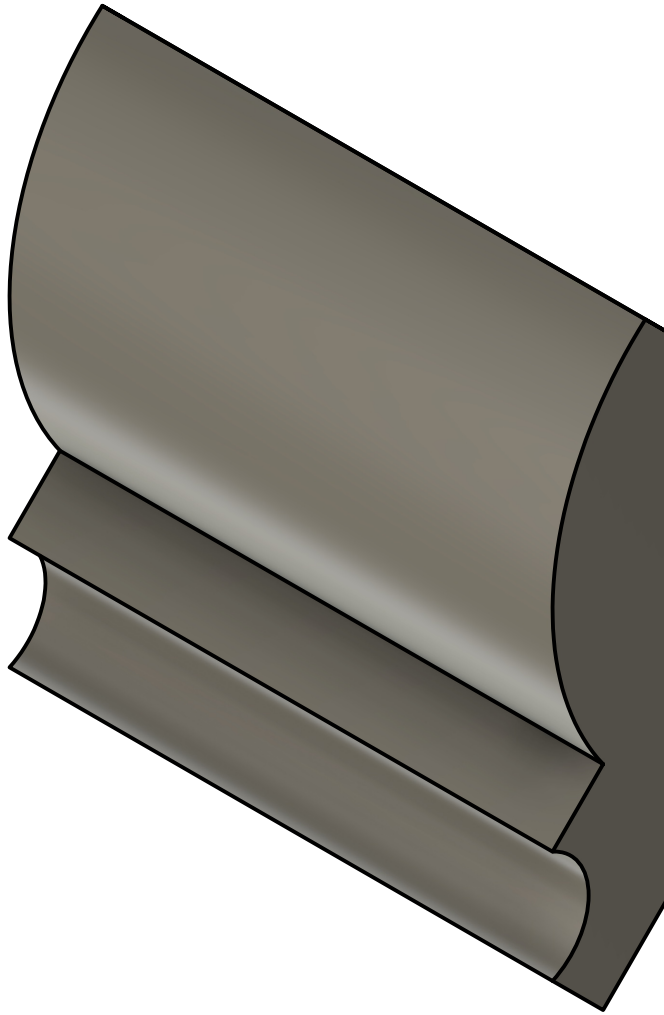
	X	Y
Standard:	0.84	4.25
Maximum:	0.84	4.25
Minimum:	0.84	4.25

### ADDITIONAL NOTES:

1. All dimensions are given in inches.
2. Tolerance:  $\pm 1/32"$ .

6178 Mitch Owens Rd  
 Manotick, Ontario K4M 0V2  
 Phone: 613-822-6800  
 Email: [info@wood-source.com](mailto:info@wood-source.com)





NAME MMCR-136

SCALE 1:1