

## CROWN MMCR-133

### DETAILS:

|          |          |
|----------|----------|
| Profile: | MMCR-133 |
| Set Up:  | 5MS      |
| Scale:   | 1:1      |

### DIMENSIONS AVAILABLE:

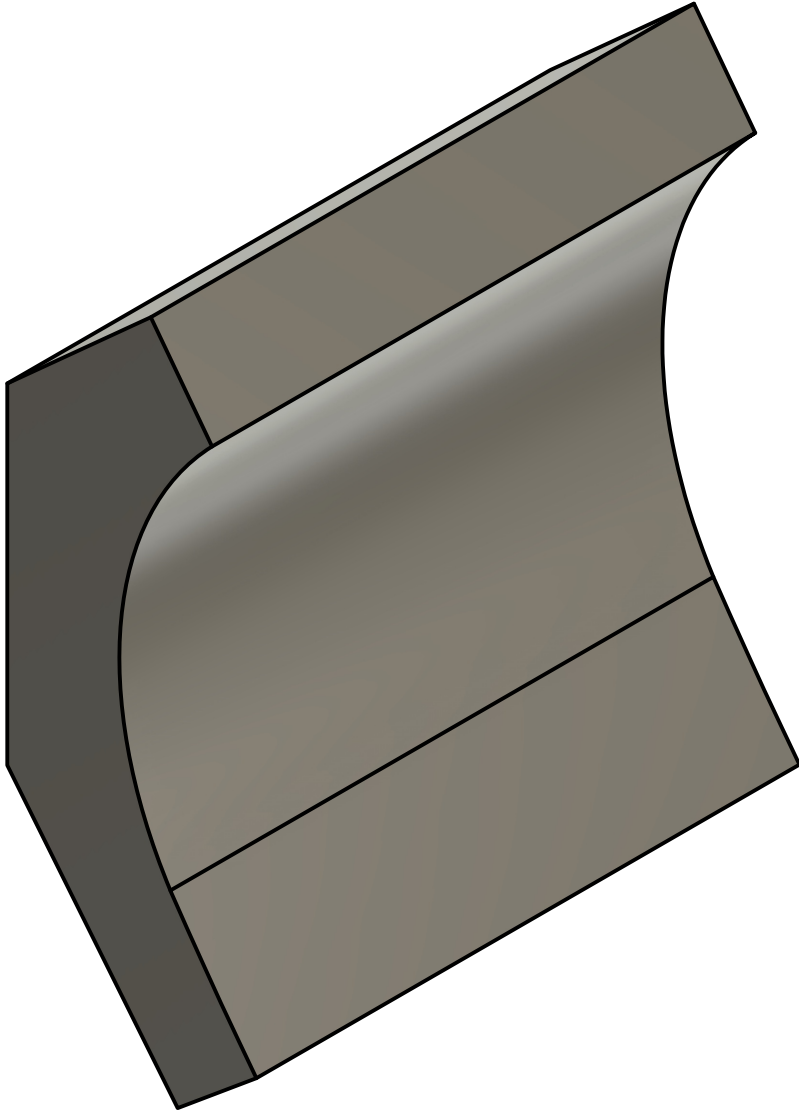
|           | X    | Y    |
|-----------|------|------|
| Standard: | 1.83 | 4.95 |
| Maximum:  | 1.83 | 4.95 |
| Minimum:  | 1.83 | 4.95 |

### ADDITIONAL NOTES:

1. All dimensions are given in inches.
2. Tolerance:  $\pm 1/32"$ .

6178 Mitch Owens Rd  
Manotick, Ontario K4M 0V2  
Phone: 613-822-6800  
Email: [info@wood-source.com](mailto:info@wood-source.com)





NAME <Project>

SCALE 1:1