

CROWN MMCR-129

DETAILS:

Profile:	MMCR-129
Set Up:	5MS
Scale:	1:1

DIMENSIONS AVAILABLE:

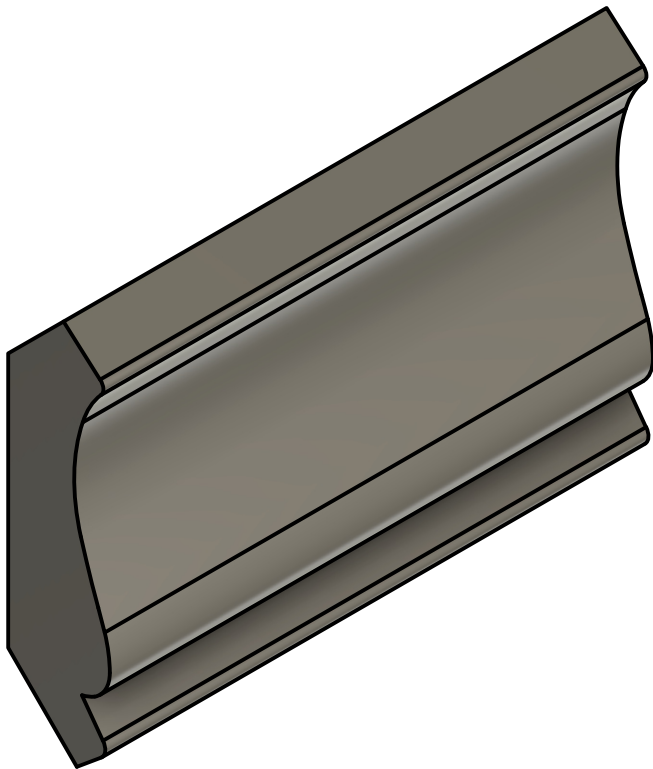
	X	Y
Standard:	0.75	2.79
Maximum:	0.75	2.79
Minimum:	0.75	2.29

ADDITIONAL NOTES:

1. All dimensions are given in inches.
2. Tolerance: $\pm 1/32"$.

6178 Mitch Owens Rd
 Manotick, Ontario K4M 0V2
 Phone: 613-822-6800
 Email: info@wood-source.com





NAME MMCR-129

SCALE 1:1