

CROWN MM CR 107

DETAILS:

| | |
|----------|-----------|
| Profile: | MM CR 107 |
| Set Up: | #MS |
| Scale: | 1:1 |

DIMENSIONS AVAILAIBLE:

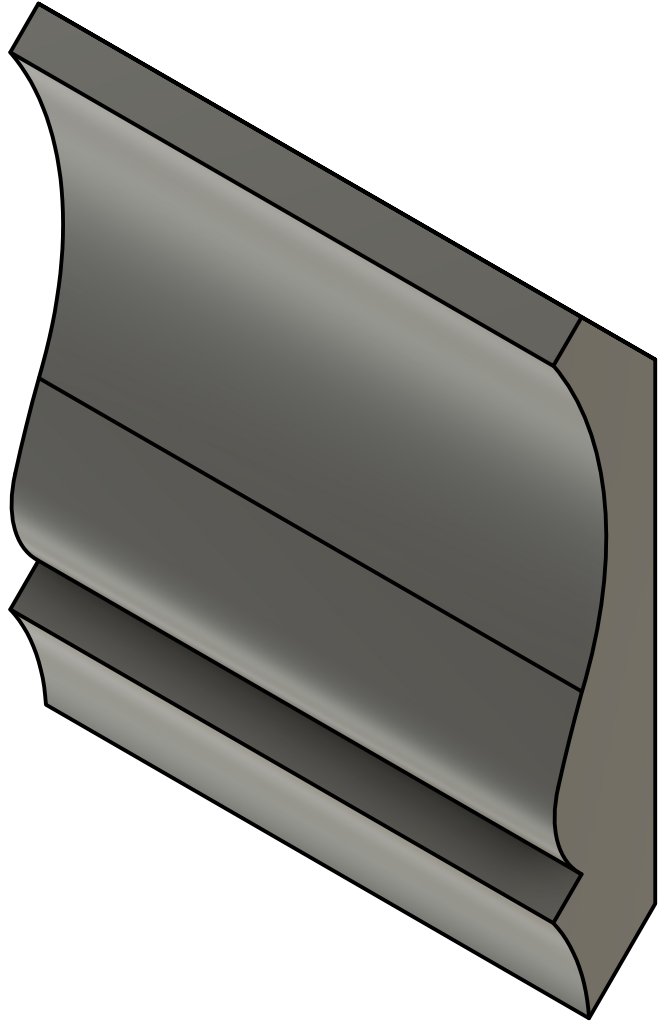
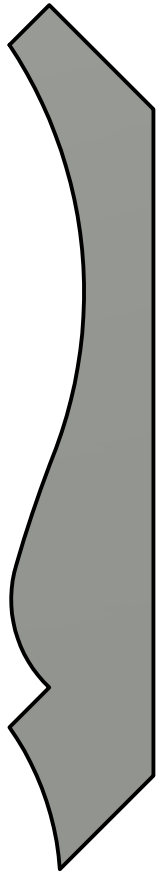
| | X | Y |
|-----------|------|------|
| Standard: | 0.75 | 4.50 |
| Maximum: | 0.75 | 4.50 |
| Minimum: | 0.75 | 4.50 |

ADDITIONAL NOTES:

1. All dimensions are given in inches.
2. Tolerance: $\pm 1/32"$.

6178 Mitch Owens Rd
Manotick, Ontario K4M 0V2
Phone: 613-822-6800
Email: info@wood-source.com





NAME MM CR 107

SCALE 1:1