

CROWN MM CR 106

DETAILS:

Profile:	MM CR 106
Set Up:	5MS
Scale:	1:1

DIMENSIONS AVAILAIBLE:

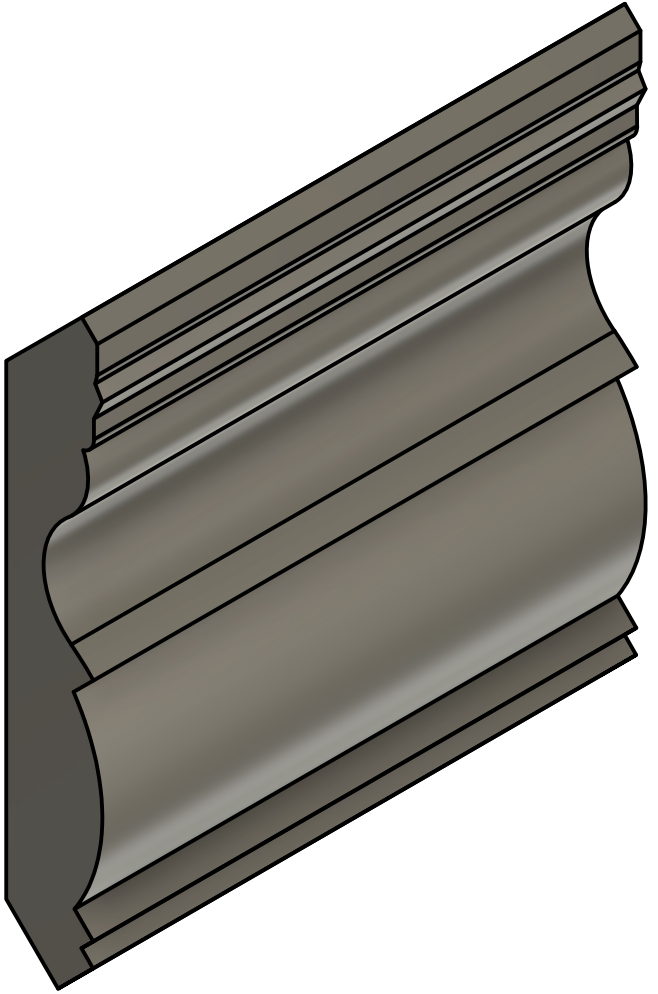
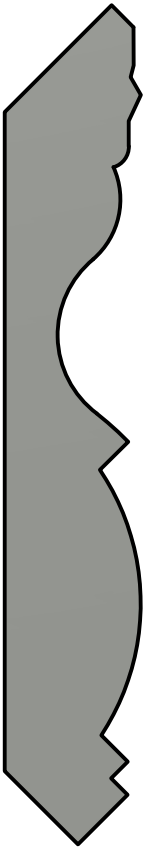
	X	Y
Standard:	0.71	4.37
Maximum:	0.71	4.37
Minimum:	0.71	4.37

ADDITIONAL NOTES:

1. All dimensions are given in inches.
2. Tolerance: $\pm 1/32"$.

6178 Mitch Owens Rd
 Manotick, Ontario K4M 0V2
 Phone: 613-822-6800
 Email: info@wood-source.com





NAME <Project>

SCALE 1:1