

CROWN MM CR 100

DETAILS:

Profile:	MM CR 100
Set Up:	5MS
Scale:	1:1

DIMENSIONS AVAILABLE:

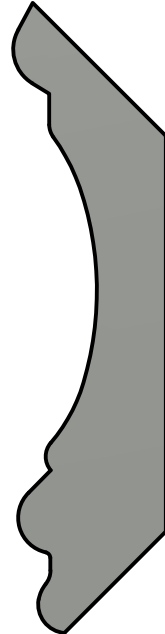
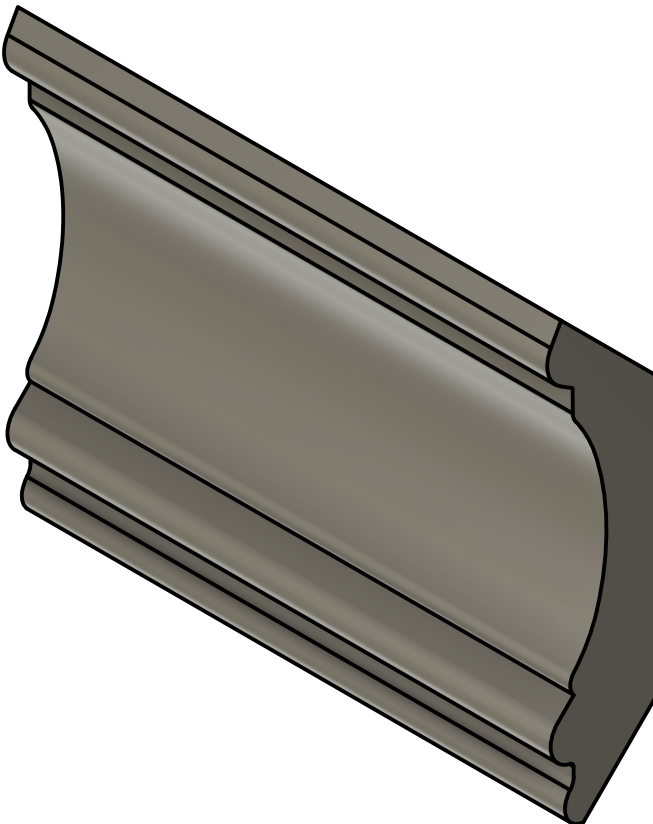
	X	Y
Standard:	0.,77	3.28
Maximum:	0.77	3.28
Minimum:	0.77	3.28

ADDITIONAL NOTES:

1. All dimensions are given in inches.
2. Tolerance: $\pm 1/32"$.

6178 Mitch Owens Rd
Manotick, Ontario K4M 0V2
Phone: 613-822-6800
Email: info@wood-source.com





NAME <Project>
SCALE 1:1