

CROWN CAP MMCC-27

DETAILS:

Profile:	MMCC-27
Set Up:	4MS
Scale:	1:1

DIMENSIONS AVAILABLE:

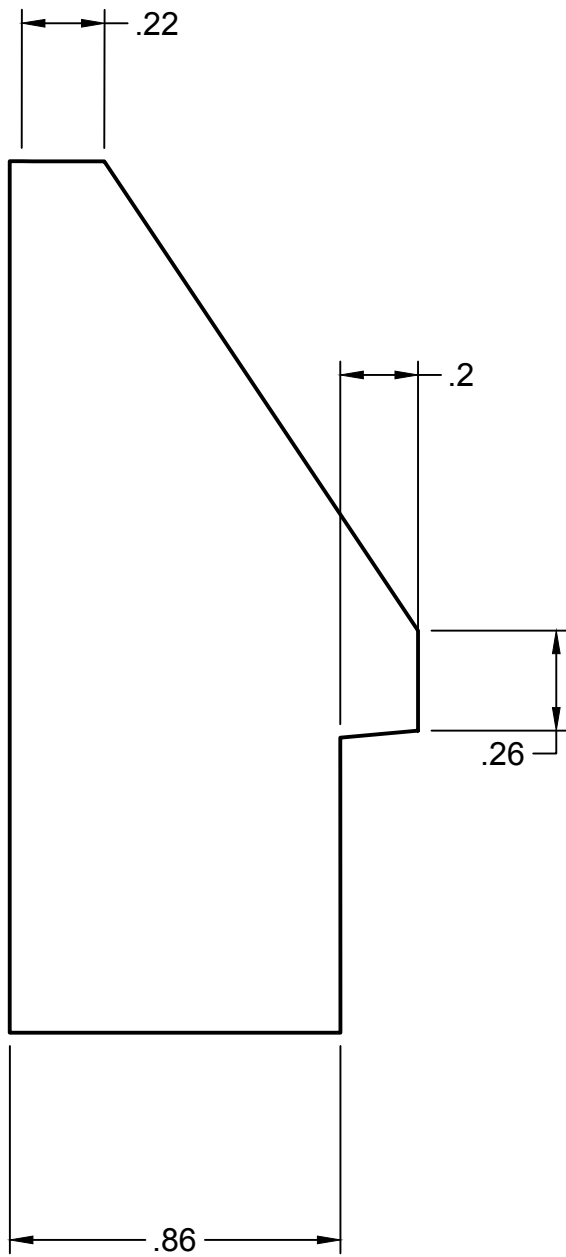
	X	Y
Standard:	1.06	2.27
Maximum:	1.06	2.27
Minimum:	1.06	2.27

ADDITIONAL NOTES:

1. All dimensions are given in inches.
2. Tolerance: $\pm 1/32"$.

6178 Mitch Owens Rd
Manotick, Ontario K4M 0V2
Phone: 613-822-6800
Email: info@wood-source.com





NAME MMCC-27

SCALE 2:1