

CASE CAP MM 306

DETAILS:

Profile:	MM 306
Set Up:	4MS
Scale:	1:1

DIMENSIONS AVAILABLE:

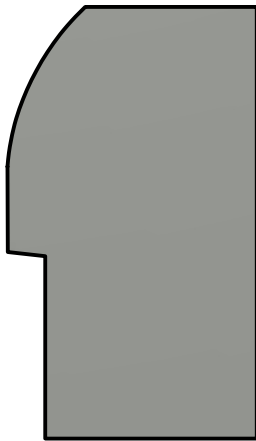
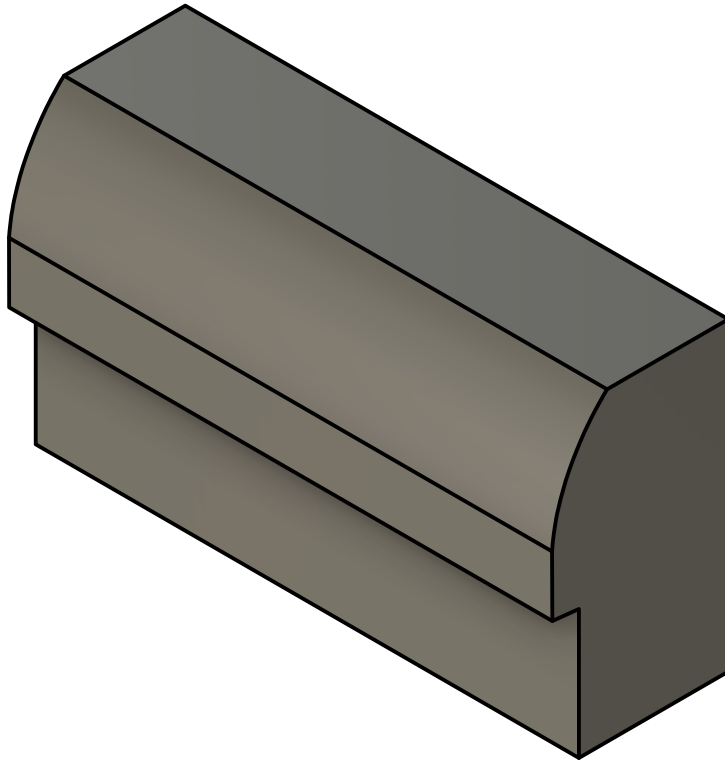
	X	Y
Standard:	1.1	2.25
Maximum:	1.75	7.25
Minimum:	0.5	1.8

ADDITIONAL NOTES:

1. All dimensions are given in inches.
2. Tolerance: $\pm 1/32"$.

6178 Mitch Owens Rd
 Manotick, Ontario K4M 0V2
 Phone: 613-822-6800
 Email: info@wood-source.com





NAME MM 306

SCALE 2:1